

Medium Current/Low V_F Schottky Diodes



features

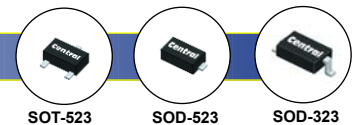
- I_F : 200mA
- I_{FSM} : 1.0 Amps
- V_F : 0.35V Typ. @ $I_F = 100mA$

description

Central's new Medium Current/Low V_F Schottky diodes have been designed for small signal general purpose applications requiring a medium I_F and low V_F . These devices have a maximum V_{RRM} of 40 Volts, a maximum I_F of 200mA and a V_F of 0.5V @ 200mA. Manufactured in three space saving surface mount packages, these new devices are ideal when small size and operational efficiency are a prime requirement. Central also manufactures High Current/Low V_F Schottky diodes in SOT-23, SOT-23F, SOD-323, SOD-523 and SOT-563 packages. For further information contact Central's Sales Department at (631) 435-1110.

Sample devices are available upon request.

selection guide



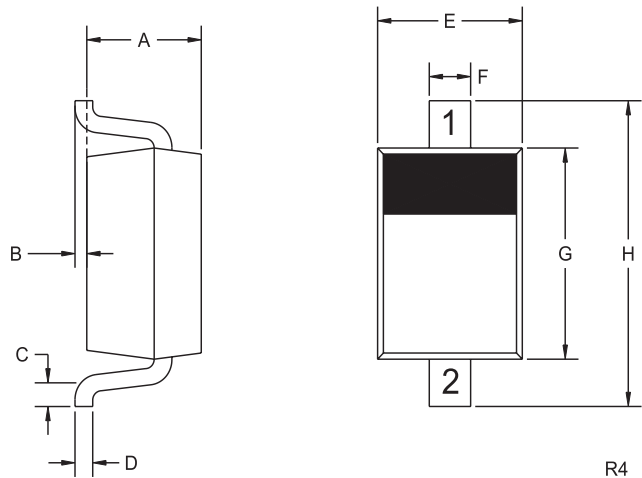
Medium Current/Low V_F Schottky Diodes

TYPE NO.	DESCRIPTION	PINOUT (TOP VIEW)	V_{RRM} (V) MAX	I_F (mA) MAX	V_F @ I_F			t_{rr} (ns) MAX	C_T (pF) MAX	CASE SIZE
					(V) TYP.	(V) MAX.	(mA)			
CMDSH2-4L	Single Diode in a SOD-323		40	200	0.24 0.35 0.42	0.325 0.40 0.50	10 100 200	5.0	10	SOD-323
CMOSH2-4L	Single Diode in a SOD-523		40	200	0.24 0.35 0.42	0.325 0.40 0.50	10 100 200	5.0	10	SOD-523
CMUSH2-4L	Single Diode in a SOT-523		40	200	0.24 0.35 0.42	0.325 0.40 0.50	10 100 200	5.0	10	SOT-523

Medium Current/Low V_F Schottky Diodes

Mechanical Specifications

SOD-323



SYMBOL	INCHES		MILLIMETERS	
	MIN	MAX	MIN	MAX
A	0.031	0.039	0.80	1.00
B	0.000	0.004	0.00	0.10
C	0.008	-	0.20	-
D	0.004	0.007	0.11	0.19
E	0.045	0.053	1.15	1.35
F	-	0.014	-	0.35
G	0.063	0.071	1.60	1.80
H	0.094	0.102	2.40	2.60

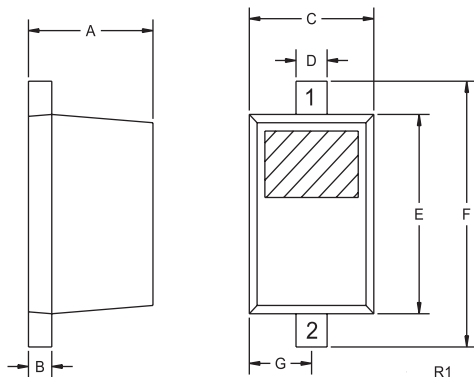
CMDSH2-4L
LEAD CODE:
1) Cathode
2) Anode

MARKING
CODE: S2L

SOD-323 (REV: R4)

R4

SOD-523



SYMBOL	INCHES		MILLIMETERS	
	MIN	MAX	MIN	MAX
A	0.020	0.031	0.50	0.80
B	0.004	0.008	0.10	0.20
C	0.028	0.035	0.70	0.90
D	0.008	0.011	0.20	0.28
E	0.039	0.055	1.00	1.40
F	0.055	0.071	1.40	1.80
G	0.016		0.40	

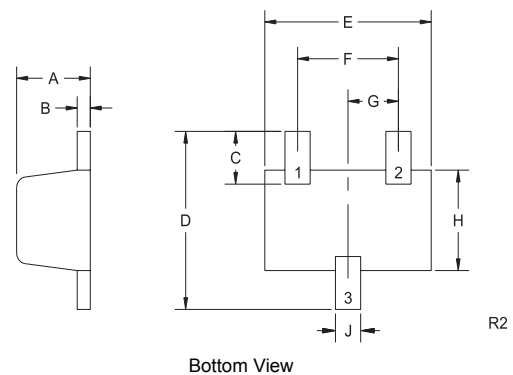
CMOSH2-4L
LEAD CODE:
1) Cathode
2) Anode

MARKING CODE: 4L

SOD-523 (REV: R1)

R1

SOT-523



SYMBOL	INCHES		MILLIMETERS	
	MIN	MAX	MIN	MAX
A	0.023	0.031	0.58	0.78
B	0.002	0.008	0.04	0.20
C	0.013	0.021	0.34	0.54
D	0.059	0.067	1.50	1.70
E	0.059	0.067	1.50	1.70
F	0.035	0.043	0.90	1.10
G	0.020		0.50	
H	0.031	0.039	0.78	0.98
J	0.010	0.014	0.25	0.35

CMUSH2-4L
LEAD CODE:
1) Anode
2) NC
3) Cathode

MARKING CODE: U24

SOT-523 (REV: R2)

R2

For complete package details, please visit:
www.centalsemi.com/packageDetails

CentralTM
Semiconductor Corp.

*Innovations in Discrete
Semiconductors*

For further information contact:
Sales at Central Semiconductor Corp.
(631) 435-1110 or visit our website at:
www.centalsemi.com

145 Adams Avenue • Hauppauge • New York • 11788 • USA • Tel:(631) 435-1110 • Fax: (631) 435-1824

PA SH2-4L Series